



EN ■ Robotic Vacuum Cleaner

Translation of the original manual

READ CAREFULLY AND STORE FOR FUTURE USE.**General warnings**

- This appliance may be used by children 8 years of age and older and by persons with physical or mental impairments or by inexperienced persons, if they are properly supervised or have been informed about how to use the product in a safe manner and understand the potential dangers.
- Children must not play with the appliance. Cleaning and maintenance performed by the user must not be performed by unsupervised children.
- In the event that the power cord is damaged, have it repaired at a professional service centre to prevent causing a dangerous situation. It is forbidden to use the appliance if it has a damaged power cord.
- The robotic vacuum cleaner must only be used with the original power adapter that came with it. In order to avoid a dangerous situation from arising, never use a different type of power adapter.
- Adhere to the instructions contained in this user's manual when performing cleaning and maintenance tasks.
- For charging the robotic vacuum cleaner, only use the original charging station that was supplied with it.
- The appliance must only be powered using a small safe voltage corresponding to the markings on the appliance.

Electrical safety

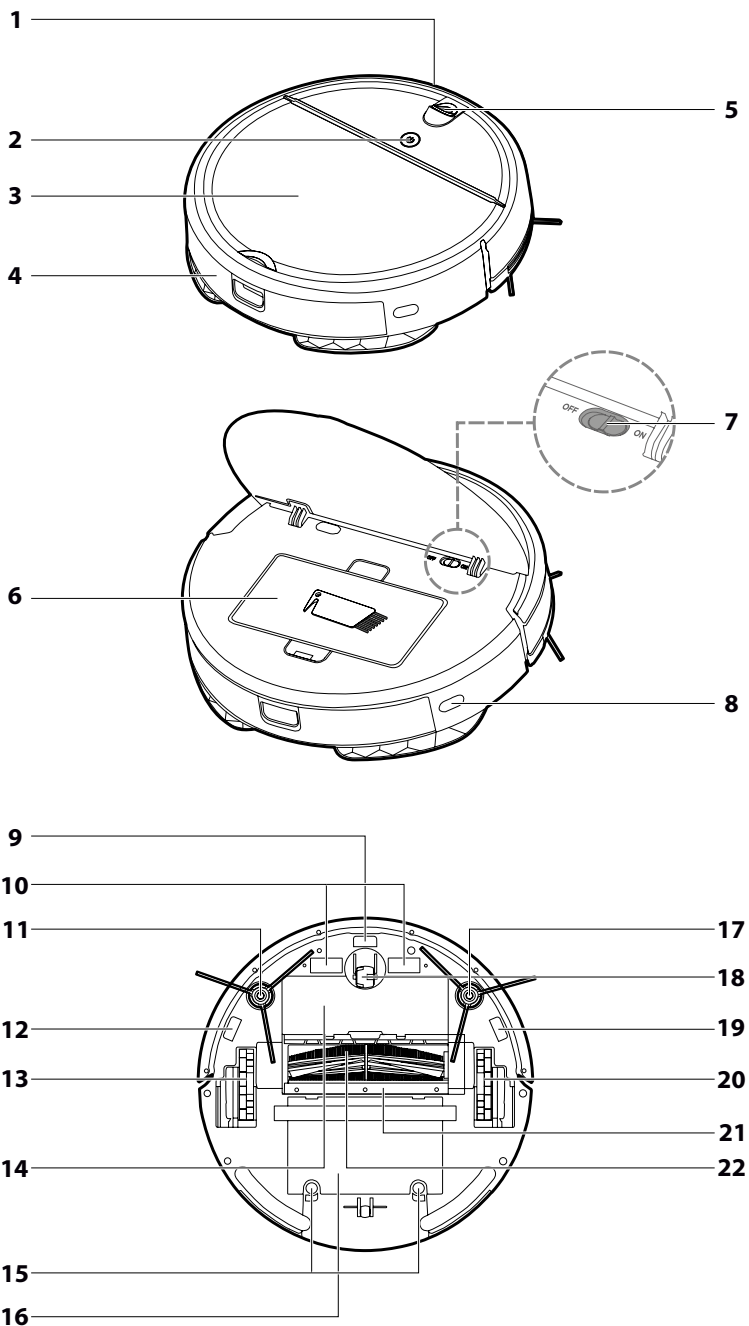
- Before connecting the adapter to a power socket, check that the technical details on the rating label match the electrical voltage in the socket.
- Connect the power adapter only to a properly grounded power socket. Do not use an extension cord.
- Do not disconnect the power adapter from the power socket by pulling on the power cord. This could damage the power adapter or the power socket. Disconnect the power adapter from the power socket by pulling on the plug.

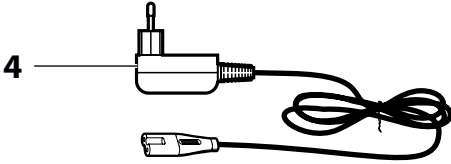
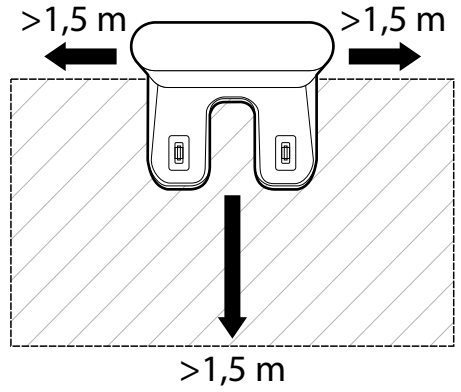
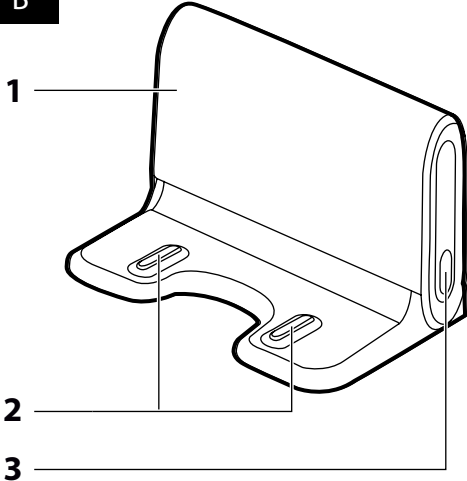
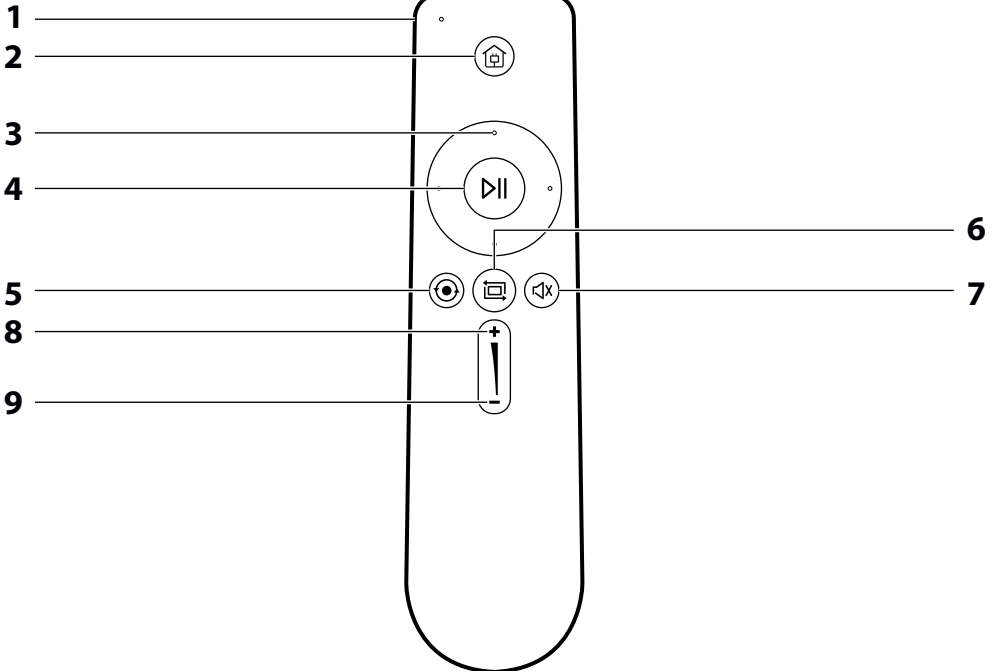
- Do not place the power cord of the power adapter over sharp objects. Make sure that the power cord does not hang over the edge of a table and that it is not touching a heated or hot surface.
- It is forbidden to use a power adapter with a damaged plug or power cord.
For a replacement power adapter, please contact an authorised service centre.
- Never use the power adapter supplied with this appliance for any other purposes.
- Keep the power adapter and its power cord dry.
- Do not connect and disconnect the power adapter cord to and from the power socket with wet hands.
- Do not uncover the electronic parts of the robotic vacuum cleaner or its battery. They do not contain any components repairable by the user. Have the appliance serviced by qualified persons.
- To avoid any injury by electrical shock, do not spray the robotic vacuum cleaner with water and do not submerge it in water or any other liquid.
- If you will not be using the robotic vacuum cleaner for an extended period of time, take out the battery. Prior to taking out the battery, ensure that the robotic vacuum cleaner is disconnected from the power socket and that it is turned off using the main switch.
- Do not use the robotic vacuum cleaner when it is not working correctly, if it has been damaged or has been submerged in water.
- To avoid the danger of injury by electrical shock, do not repair the robotic vacuum cleaner yourself or make any adjustments to it. Have all repairs performed at an authorised service centre. Tampering with the robotic vacuum cleaner during the warranty period may void the warranty.
- Before every cleaning or maintenance task, turn off the robotic vacuum cleaner using the main switch.

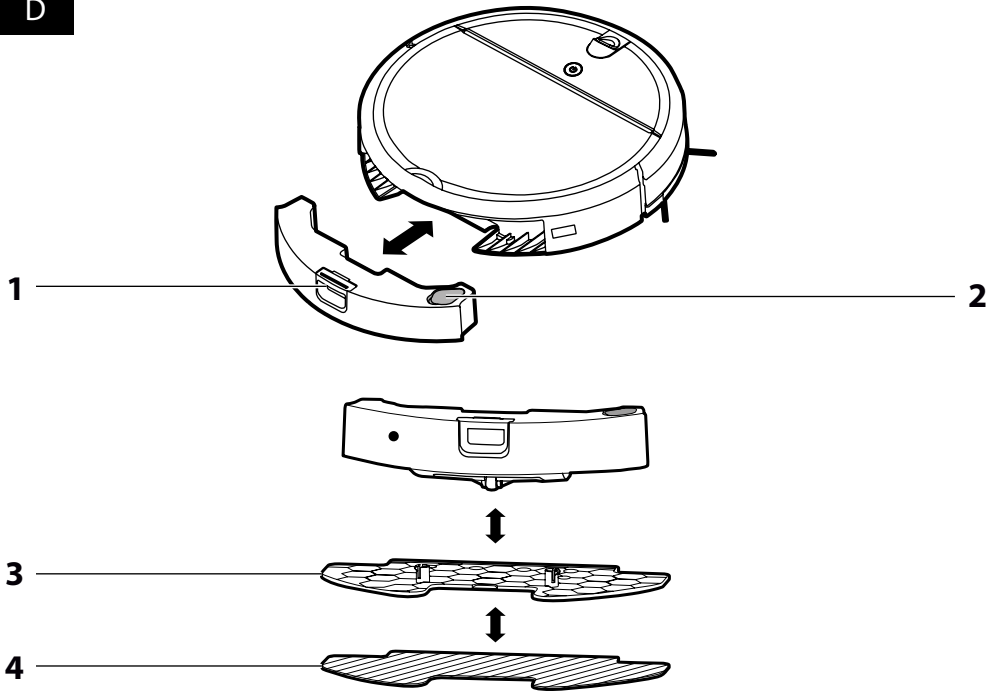
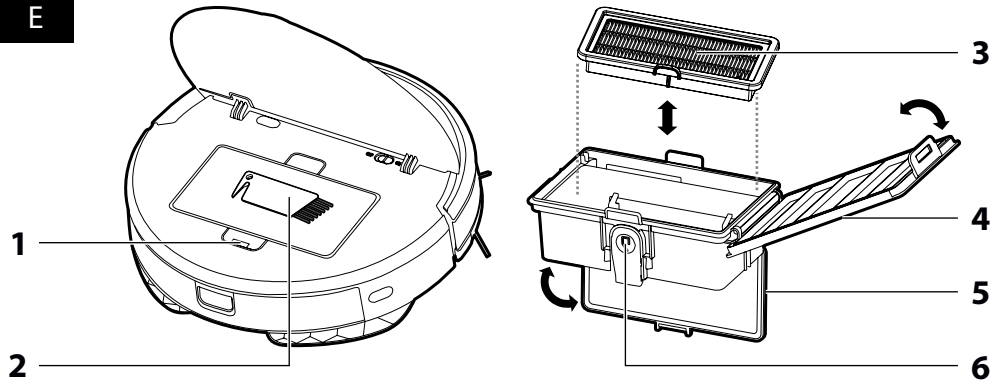
Safety during use

- This robotic vacuum cleaner is designed for use in households, offices and similar types of areas. Do not use it in industrial surroundings or outdoors.
- The robotic vacuum cleaner is not intended for vacuuming water and therefore must not be used in damp or wet areas, for example in laundries, bathrooms or around swimming pools. If it were to come into contact with water, the internal electronics of the vacuum cleaner would be destroyed.
- Do not use the robotic vacuum cleaner to vacuum the following items:
 - smouldering cigarettes, burning or flammable items, matches or ash;
 - water and other liquids;
 - sharp items, e.g. splinters, needles, pins, etc.;
 - flour, wall plaster and other building materials;
 - larger pieces of paper or plastic bags, which can easily block the suction hole.
- Do not expose the robotic vacuum cleaner to direct sunlight and do not place it near an open fire or appliances that are a source of heat.
- Do not use the robotic vacuum cleaner on narrow raised surfaces such as tables, wardrobes, etc. If the vacuum cleaner does not have sufficient space for manoeuvring, it may fall and be damaged.
- Only use the robotic vacuum cleaner with the original accessories from the manufacturer.
- Ensure that the robotic vacuum cleaner has a dust filter correctly installed in the dust container before use.
- Before putting the robotic vacuum cleaner into operation, check that the entry door into your apartment or house is closed. From the floor surfaces, remove clothing, paper, toys, power or extension cords and other items that the vacuum cleaner could suck in or catch. Lift curtains and drapes that reach to the floor so that they do not get caught in the vacuum cleaner.
- Do not place any items on to the robotic vacuum cleaner and do not step or sit on it.
- If the robotic vacuum cleaner is running, watch out for children and household pets.
- When the robotic vacuum cleaner is running, ensure that the air vents are not covered and that the suction hole is not blocked. Otherwise, the robotic vacuum cleaner may be damaged.

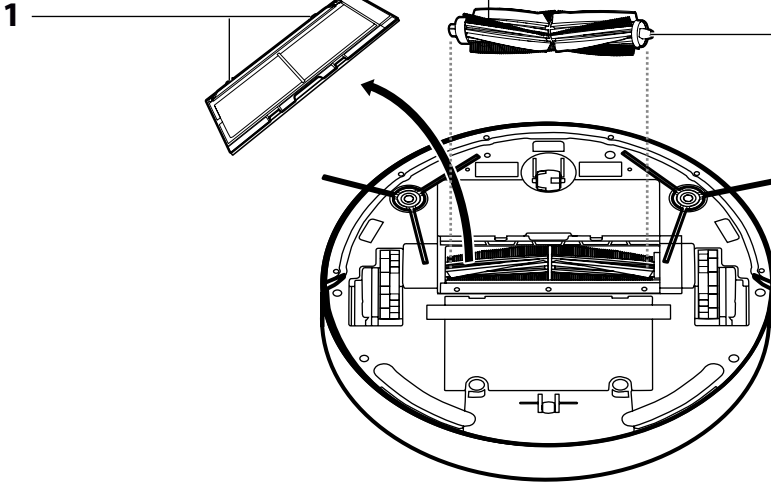
A



B**C**

D**E**

F



EN: Link to the application for controlling the vacuum cleaner

APP Store



Google Play



BEFORE FIRST USE

- Prior to using this appliance, please read the user's manual thoroughly, even in cases, when one has already familiarised themselves with previous use of similar types of appliances. Only use the appliance in the manner described in this user's manual. Keep this user's manual in a safe place where it can be easily retrieved for future use. In the event that you hand this appliance over to somebody else, make sure to also include this user's manual.
- We recommend saving the original cardboard box, packaging material, purchase receipt and responsibility statement of the vendor or warranty card for at least the duration of the legal liability for unsatisfactory performance or quality. In the event of transportation, we recommend that you pack the appliance in the original box from the manufacturer.
- Carefully unpack the appliance and take care not to throw away any part of the packaging before you find all the parts of the appliance.

DESCRIPTION OF THE APPLIANCE AND ACCESSORIES

A1 Anti-collision sensors (in the bumper bar)	A11 Left side rotary brush
A2 Button for starting and stopping the automatic cleaning mode	A12 Bottom anti-fall sensor, left
A3 Lid	A13 Left motorised rubber wheel
A4 Water tank with mop holder	A14 Battery cover
A5 Camera	A15 Holes for mop holder
A6 Dust container	A16 Wiping system cover
A7 Power switch	A17 Right side rotary brush
A8 Side sensor (on both sides of the vacuum cleaner)	A18 Front swivel wheel
A9 Anti-fall sensor, central	A19 Bottom anti-fall sensor, right
A10 Charging contacts	A20 Right motorised rubber wheel
	A21 Central rotary brush cover
	A22 Central rotary brush
B1 Charging station	B3 Power adapter plug socket
B2 Charging contacts	B4 Power adapter
C1 Remote control	C5 Small area intensive cleaning mode
C2 Return to the charging station button	C6 Along-the-walls cleaning mode
C3 Direction buttons	C7 Voice messages on/off
C4 Button for starting and stopping the automatic cleaning mode	C8 Increase suction power
	C9 Decrease suction power
D1 Latch for releasing the container from the vacuum cleaner	D3 Mop holder
D2 Rubber cap of the filling hole	D4 Mop fabric
E1 Latch for releasing the dust container from the vacuum cleaner	filter able to capture even the finest dust particles.
E2 Cleaning brush with blade for cutting through hair, etc.	E4 Top cover
E3 HEPA filter with holder	E5 Bottom dust container cover
Highly effective air-borne particle	E6 Bottom cover release button
F1 Rotary brush cover latches	F3 Brush bearings
F2 Brushes	

PURPOSE OF USE AND FEATURES OF THE ROBOTIC VACUUM CLEANER

- The robotic vacuum cleaner is intended for cleaning various types of hard floors such as wooden or laminate floating floors, tiles, vinyl, etc. and carpets with a low pile height. While vacuuming, it effectively combines various routes to optimally clean the entire floor area.
- The suction hole effectively removes hair, animal fur, etc. The side rotary brushes brush dirt out of hard-to-reach places along walls and furniture and out of corners. The motorised rubber wheels protect sensitive floors against scratching and can travel over threshold strips up to a height of 1.5 cm and ride on to a 2 cm high carpet.
- The suspended bumper enables the vacuum cleaner to dampen the approach to an obstacle and to efficiently clean around it. The infrared sensors in the front bumper prevent the robotic vacuum cleaner from colliding with obstacles. Safe operation in rooms with stairs is made possible by the bottom anti-stair-fall sensors.
- Another advantage of the robotic vacuum cleaner is the mop function, which enables dry and wet wiping of smooth hard floor surfaces. While wiping, the vacuum cleaner vacuums small bits of dirt and dust from the floor to prevent the mop fabric from being excessively soiled during the cleaning cycle. When the vacuum cleaner finishes cleaning, it will automatically shut off the supply of water and thereby limit it leaking on to the floor.
- For easy operating status identification, there is a button on the cover fitted with an indicator light, the colour of which indicates various operating states, see chapter GUIDE TO LIGHT INDICATORS. Apart from the indicator light, the vacuum cleaner also has voice messages that accompany certain functions or error states of the vacuum cleaner.

- Comfortable control is made possible by a smart device application that enables the vacuum cleaner to be turned on and off, to be set to the automatic cleaning mode, to select an operating mode, to send the robotic vacuum cleaner to the charging station or to set scheduled cleaning.
- The vacuum cleaner navigates within an area by means of a SLAM type navigation system (simultaneous localisation and mapping) and a GYRO MAPPING function, which can identify the space geometry of a room in which it is cleaning, and thereby the vacuum cleaner is able to better clean the floor. This is a built-in function and cannot be affected in any way.

PREPARING FOR OPERATION

INSTALLING THE SIDE ROTARY BRUSHES AND THEIR USE

- The side rotary brushes **A11** and **A17** are intended for smooth floor surfaces and ensure effective cleaning in corners, along walls and furniture.
- If the robotic vacuum cleaner is not supplied with the rotary brushes already installed, it is necessary to install them. Turn the robotic vacuum cleaner upside down and push the brushes with force on to the pin.



Attention:

When turning the vacuum cleaner upside down, ensure that it does not fall out of your hands on to the floor or that you do not damage its camera **A5** when putting it down. We recommend placing the vacuum cleaner on to a suitable soft surface.

- When using the robotic vacuum cleaner to clean rooms with carpets, remove the side rotary brushes. When disassembling, use force to slide the brushes upwards off the pins.

LOCATION OF THE CHARGING STATION

- The charging station **B1** serves to automatically recharge the battery and the vacuum cleaner must have good access to it.
- Select a location for the charging station that is hard, horizontal and dry, and that is within reach of a power socket. Make sure that there are no stairs or obstacles within a distance of at least 1.5 m on the left, right and in front of the charging station that would prevent the vacuum cleaner from finding the charging station and docking successfully. It is appropriate to position the rear part of the charging station against a wall or a piece of furniture.
- Insert the plug of the power adapter into socket **B3**, and insert the power cord plug into a power socket. Place the power cord in such a way that it does not tangle into the cleaning brushes or the wheels of the robotic vacuum cleaner.
- In the event that the vacuum cleaner is not used for an extended period of time, disconnect the charging station from the power socket and store it in a dry, clean and cool place.

CHARGING THE BATTERY FOR THE FIRST TIME

- Before using the vacuum cleaner for the first time, it is necessary to fully charge the battery for at least 12 hours.
- Check that the charging station is correctly positioned and connected to a power socket according to chapter LOCATION OF THE CHARGING STATION.
- Open the cover **A3** and set the main switch **A7** to the ON position.
- Grasp the robotic vacuum cleaner and manually place it into the charging station so that the charging contacts **A10** on the underside of the robotic vacuum cleaner and the charging contacts **B2** on the charging station are connected. When the contacts are connected, the charging process will start.
- During the charging process, the indicator light in button **A2** will flash white.
- When the battery is fully charged, the indicator light will remain permanently lit white, a voice message will be sounded and the charging process will end automatically. The vacuum cleaner is now ready for use.



Note:

Further details about automatic or manual charging of the robotic vacuum cleaner are found in chapter CHARGING THE ROBOTIC VACUUM CLEANER

INSERTING AND REPLACING BATTERIES IN THE REMOTE CONTROL

Insert two type AAA (1.5 V) batteries into the remote control. When inserting the batteries ensure the correct polarity as shown inside the battery compartment. In the event that the batteries are flat, replace them with new ones. Do not combine various types of batteries or new and old batteries. The signal range of the remote control is approximately 5 m.

Operation



Note:

Before starting the vacuum cleaner, always check that the dust container, together with the HEPA filter, is inserted in place.

TURNING ON

- Open the cover **A3** and set the main switch **A7** to the ON position.
- Press button **A2** on the vacuum cleaner or button **C4** on the remote control. The indicator inside the button will be lit, a voice message will be sounded and the vacuum cleaner will switch to the stand-by mode.

STAND-BY MODE

- The stand-by mode means that the vacuum cleaner is idle but ready for operation. Button **A2** is backlit white and the vacuum cleaner awaits a command.

- Set the vacuum cleaner to the stand-by mode by pressing button **A2** on the vacuum cleaner or button **C4** on the remote control at any time while it is running.

SLEEP MODE

- The sleep mode serves to save the battery's capacity. The vacuum cleaner enters sleep mode either automatically after five minutes of inactivity or when it is unable to dock in the charging station. The indicator on button **A2** will turn off and the vacuum cleaner will automatically switch to the sleep mode.
- To wake the vacuum cleaner from the sleep mode, press button **A2** on the vacuum cleaner or button **C4** on the remote control.



Note:

When the vacuum cleaner is in sleep mode, it is not possible to wake it up using the mobile phone application. In sleep mode, it reacts only to buttons **A2** or **C4** on the remote control.



Attention:

The battery is gradually discharged also in the sleep mode, though slowly. If the vacuum cleaner is left in the sleep mode for an extended period of time (several days), the battery may become fully discharged. If this happens, the vacuum cleaner will not react to any button that is pressed and it will be necessary to place it into the charging station so that it can recharge itself.

GUIDE TO LIGHT INDICATORS

Colour of the indicator in button A2	Meaning
White – permanently lit	Ready for operation
White – flashing	Charging / connecting to Wi-Fi
Red – flashing	Low battery voltage / problem

TURNING OFF

- If you wish to turn the vacuum cleaner completely off, open the cover **A3** and set the main switch **A7** to the OFF position. The indicator in button **A2** will turn off and the power supply will be shut off. When the vacuum cleaner is turned off, it will not respond to any button.

TURNING VOICE MESSAGES ON/OFF

- If you prefer not to have the robotic vacuum cleaner make system voice messages, deactivate this function pressing button **C7** on the remote control.
- If you wish to reactivate the voice messages, press button **C7** again.

SELECTING THE CLEANING MODE

- Before starting the cleaning process, check that the entry door into your apartment or house is closed. From the floor surfaces, remove clothing, paper, plastic bags, toys, power or extension cords and other items that the vacuum cleaner could suck in or catch. Lift curtains and drapes that reach to the floor so that the vacuum cleaner does not catch them.



Tip:

When vacuuming in a new environment for the first time, carefully observe the movement of the vacuum cleaner. You can thereby recognise problematic obstacles and remove them for the next cleaning session.

AUTOMATIC CLEANING MODE

- Press button **A2** on the vacuum cleaner or button **C4** on the remote control. The robotic vacuum cleaner will enter the automatic cleaning mode, in which it effectively combines various routes to achieve an optimal clean of the entire floor area. As soon as the vacuum cleaner finishes cleaning, it will seek out the charging station and dock there to recharge.

SMALL AREA INTENSIVE CLEANING MODE

- Press button **C5** on the remote control. The vacuum cleaner will enter the cleaning mode, where it moves along a spiral up to a distance of approximately one meter and then returns along the spiral back to the initial point, thoroughly cleaning the given area. As soon as the vacuum cleaner finishes cleaning, it will seek out the charging station and dock there to recharge.

ALONG-THE-WALLS CLEANING MODE

- Press button **C6** on the remote control. The vacuum cleaner will enter the long-the-walls cleaning mode, in which it moves along the perimeter of the room and the motorised side rotary brushes sweep out the dirt along the walls, furniture corners to achieve a perfect clean. As soon as the vacuum cleaner finishes cleaning, it will seek out the charging station and dock there to recharge.



Note:

Other cleaning modes are available via the smart device application, see chapter CONTROLLING THE VACUUM CLEANER USING THE MOBILE APPLICATION

CHANGING SUCTION POWER

- Based on the level of soiling of the vacuumed area or based on the time of day that the robotic vacuum cleaner is used (e.g. later at night or early morning), it is possible to use buttons **C8** and **C9** on the remote control to simply increase or decrease the suction power.

MANUALLY CONTROLLING THE MOVEMENT OF THE VACUUM CLEANER

- The direction buttons **C3** can be used to manually control the movement of the robotic vacuum cleaner on the floor. When the vacuum cleaner is moved on the floor, the operation of the side rotary brushes is synchronised with the movement of the motorised wheels.



Note:

When the vacuum cleaner is controlled manually, the vacuum cleaning function is turned off. Nevertheless, the sensors on the vacuum cleaner remain functional and prevent collisions with obstacles and falling from stairs.

- When the direction buttons forward or reverse are pressed, the robotic vacuum cleaner will move in the respective direction. For continuous movement forward, hold down the respective button. Releasing the button will stop the movement of the vacuum cleaner.
- When the direction button left or right is pressed, the robotic vacuum cleaner will turn in the respective direction. To continuously turn the vacuum cleaner, hold down the respective button. Releasing the button will stop the turning of the vacuum cleaner.

PAUSING THE CLEANING PROCESS

- Press button **A2** or **C4** on the remote control at any time during the cleaning process to stop the vacuum cleaner in the place where it is cleaning. Press one of the above-mentioned buttons again to continue with the commenced cleaning process.

DRY AND WET WIPING

- The system for wiping with the mop fabric is used for dry and wet wiping of hard floor surfaces combined with concurrent vacuuming. The system consists of a water tank **A4**, holder **D3** and the mop fabric **D4**.



Attention:

The mop fabric is not intended for cleaning carpets. The mop holder can only be attached to the water tank **A4**. Therefore, only use the holder and the water tank that is intended for this robotic vacuum cleaner model.

Always attach the mop holder on to the water tank away from the vacuum cleaner, and only thereafter insert the tank with the holder into the vacuum cleaner. To attach the holder with the mop to the tank when it is inserted in the vacuum cleaner would require one to turn the vacuum cleaner upside down. This could result in damage to the camera **A5** or other parts of the vacuum cleaner, e.g. by being dropped on the floor or the camera being excessively pushed in against the floor.

Dry wiping of floors

- Dry wiping is used for removing fine dust and floor polishing.
- Attach the mopping fabric to the holder using the Velcro zip on the holder.
- Insert the pins of the holder with the fabric into the holes **A15** located on the underside of the water tank. Then insert the water tank assembled in this way into the vacuum cleaner. There must be no water in the water tank.
- Start the vacuum cleaner.

Wet wiping of floors

- Wet wiping (mopping) is used for wiping away minor dirt and polishing floors. It will not, however, remove resistant stains such as dry stains from coffee, etc.
- Attach the mopping fabric to the holder using the Velcro zip on the holder.
- Insert the pins of the holder with the fabric into the holes **A15** located on the underside of the water tank.
- Tilt open the rubber cap **D2** on the water tank and fill it up with clean water through the filling hole. Do not fill past the maximum water level mark marked on the water tank. Properly push the cap back on and wipe away any water remaining on the water tank.
- Then insert the assembled and filled water tank into the vacuum cleaner.
- Start the vacuum cleaner.



Note:

The vacuum cleaner is equipped with an electronically-controlled water pump that automatically doses the water on to the fabric and also stops dosing water at the end of the cleaning process to prevent water from leaking on to the floor or the charging station.

For wiping, we recommend using clean water. If you use a cleaning agent, it may foam up and thereby worsen the dripping of the water on to the fabric, or potentially cause smudges on the floor after it dries.

Removing the mop from the water tank

- If you wish to remove the holder with the mop from the water tank, first take the water tank out of the vacuum cleaner.
- Remove the holder by pulling it from the underside of the water tank and pull the mop fabric off the holder.
- Tilt open the rubber cap **D2** on the water tank and pour out any remaining water.

CONTROLLING THE VACUUM CLEANER USING THE MOBILE APPLICATION

- The vacuum cleaner can also be controlled using a smartphone or tablet. The application enables you to select the cleaning mode, stop the cleaning process or send the vacuum cleaner to the charging station; it provides an overview of how much time was spent cleaning and about the condition of the vacuum cleaner.
- The application is freely available in the **Apple App Store** or **Google Play Store**. The link for this application is found in the picture part of this user's manual.



Note:

The robotic vacuum cleaner supports Wi-Fi in the 2.4 GHz frequency band. If unsure about which standards are used by your Wi-Fi network and your router, please contact your internet service provider or the manufacturer of the router.

- After downloading and installing the application on a smart device, set the vacuum cleaner into the network configuration mode by pressing and holding down button **A2** until a beep is made. The indicator of button **A2** will start flashing slowly. If you wish to cancel the network configuration mode, press button **A2** on the vacuum cleaner or **C4** on the remote control.
- Launch the application. After registration, the application will guide you through the process for connecting the vacuum cleaner to your Wi-Fi network.

CHARGING THE ROBOTIC VACUUM CLEANER

AUTOMATIC CHARGING

- When the vacuum cleaner finishes cleaning or when it detects a low battery voltage during operation, the indicator in button **A2** will start flashing red and the vacuum cleaner will automatically start to seek out the charging station.
- In order for it to find it and dock, it needs to find the infrared signal transmitted by the charging station. For this reason, we recommend leaving the charging station constantly connected to the power grid and located in accordance with the instructions provided in chapter LOCATION OF THE CHARGING STATION.
- In the event that the vacuum cleaner is for some reason unable to find the charging station (too many obstacles, incorrect location, etc.) the indicator in button **A2** will start flashing red. In this case, it is necessary to place the vacuum cleaner near the charging station or directly on to its contacts.
- After docking in the charging station, the charging cycle will commence. A full charge takes approximately 5 hours. The actual charging time depends on the power level of the battery. A fully charged battery will provide up to 90 minutes of operation.
- During the charging process, the indicator light in button **A2** will flash white. When the battery is fully charged, the indicator lights on both buttons will remain permanently lit white and the process will end automatically.
- In the event that the charging contacts are disconnected during the charging cycle, the vacuum cleaner will move away from the charging station and then re-dock itself to resume the charging process, unless it is prevented from doing so by an obstacle. In the event of a power outage, the charging cycle will be interrupted and will continue after the power supply is renewed. In the event that the maximum charging current is exceeded, the charging station will automatically interrupt the charging cycle.

MANUAL CHARGING

- If the vacuum cleaner is located away from the charging station and detects a low battery voltage then the indicator in button **A2** will start flashing red. Press button **C2** on the remote control. The vacuum cleaner will automatically seek out the charging station and start automatic charging as described in the previous chapter.
- If the battery is so flat that the vacuum cleaner is unable to seek out the charging station then it is necessary to dock the vacuum cleaner into the charging station by hand. Pick up the vacuum cleaner and manually place it into the charging station so that the charging contacts on the underside of the vacuum cleaner and the charging contacts on the charging station are connected. When the contacts are connected, charging will start.

CARING FOR THE BATTERY

- We recommend that you do not interrupt the charging cycle and maintain the battery in a charged state.
- Do not leave the vacuum cleaner completely flat for an unnecessarily long period of time. A battery that is allowed to remain flat for a long time may self-discharge below a permissible level and thereby cause irreparable damage to itself.

REPLACING THE BATTERY

- Make sure that the vacuum cleaner is turned off with the main switch **A7**. Turn the vacuum cleaner upside down and remove the screws from the battery cover **A14**. Take off the cover.
- Disconnect the battery and take it out. Connect a new battery and place it into the battery compartment being careful not to damage the connector cables. Screw the battery cover back on.



Attention:

Use only the original battery type.

TROUBLESHOOTING

PROBLEM	POSSIBLE CAUSE AND SOLUTION
The vacuum cleaner cannot be turned on.	The battery is almost or completely flat, and it is necessary to charge it. Manually place the vacuum cleaner on to the charging station. The dust container is full. Empty it out.
The vacuum cleaner is running but it is vacuuming dust and dirt poorly or not at all.	The dust filter in the container is not properly installed or is excessively soiled. Check the position and cleanliness of the filter. The central rotary brush is clogged with material or hair is tangled on it, and it is not turning. Clean out the brush and the suction hole.
The vacuum cleaner is making an unusual noise while cleaning.	The central rotary brush, side rotary brushes or one of the motorised wheels is wrapped with material or tangled into an obstacle (cables, etc.).
The vacuum cleaner travels only backwards when it is turned on.	The vacuum cleaner was placed on a floor that is too dark. Move the vacuum cleaner to a lighter-coloured floor and start it again. One of the bottom sensors is soiled. Clean the all the sensors.
The bristles on a rotary brush are deformed and do not sweep up dust and dirt.	The bristles are worn out. Dip them in warm water to renew their original shape. Contact the vendor or service centre and order a new brush.
Cleaning at a scheduled time did not occur.	The battery was not sufficiently charged. Scheduled cleaning will only start when the battery is charged to at least 30%. The vacuum cleaner was turned off using the main switch. After performing scheduled cleaning, it must be in the stand-by or sleep mode.
The vacuum cleaner did not travel on to the charging station.	The charging station is not connected to mains power. Connect it. The vacuum cleaner is too far away from the charging station. Carry the vacuum cleaner by hand to the vicinity of the charging station. The charging station is not located according to the instructions in this user's manual and the vacuum cleaner has poor access to it.
The vacuum cleaner is in the charging station but is not charging.	Check that the charging station is connected to the power grid. Clean the charging contacts on the charging station and the vacuum cleaner. Check that the main power switch is in the ON position. Weak Wi-Fi network signal or the vacuum cleaner is out of its range.
The vacuum cleaner did not connect to the Wi-Fi network.	Incorrectly entered password. Your router transmits in the 5 GHz broadcast band but your vacuum cleaner can only receive signals in the 2.4 GHz broadcast band.
Indicator of button A2 is flashing red	The control system of the vacuum cleaner has detected a problem, that may include the vacuum cleaner being lifted off the ground, the dust container / water tank sliding out of the vacuum cleaner during the charging process, the wheels or brushes becoming blocked during operation, etc. Attempt to identify what has caused the problem and attempt to fix it. If the red flashing persists, try turning off the vacuum cleaner using the main switch A7 and turn it back on after at least 20 seconds. If even this fails to help, contact an authorised service centre.

CLEANING AND MAINTENANCE

- Prior to cleaning, always turn off the vacuum cleaner by setting the main switch **A7** to the OFF position.
- For cleaning, never use abrasive cleaning products, solvents, etc.
- Neglecting cleaning and maintenance may negatively affect the working order of the vacuum cleaner and lead to its reduced performance.



Attention:

When turning the vacuum cleaner upside down for maintenance tasks, ensure that it does not fall out of your hands on to the floor or that you do not damage its camera **A5** when putting it down. We recommend placing the vacuum cleaner on to a suitable soft surface.

DUST CONTAINER AND DUST FILTER

Empty out the dust container after every use and clean it regularly. Pressing latch **E1**, slide out the dust container **A6** from the vacuum cleaner and take it to a waste basket, garbage bin, etc. Press latch **E6** to open the bottom cover **E5** and tip out the dirty material. For hygiene reasons, we recommend that you tip out the dirty material away from living areas. Open the cover **E4** and take it out of the holder with the dust filter **E3**. Tap out the dust filter and its holder or clean these parts using the brush **E2**. Check the condition of the filter and if damaged, replace it with a new one.

In the event of greater soiling, the dust container and the holder can be completely washed under running water. After washing them, it is necessary to allow all the components to dry completely.

**Attention:**

Do not wash the dust container or the dust filter in a dishwasher. Before putting the vacuum cleaner back into operation, check that the dust filter is in its location. Otherwise the vacuum cleaner may be damaged.

- Assemble all the parts to the initial state and slide the dust container back into the vacuum cleaner.

WATER TANK

- We recommend that water is poured out of the water tank **A4** and the tank is cleaned after every wiping of the floor.
- Press latch **D1** to slide the water tank out from the vacuum cleaner and then remove the holder **D3** with the mop fabric **D4** from the water tank.
- Flip open the rubber cap **D2** and pour out any remaining water.
- Use a damp cloth to wipe the entire tank and allow it to dry naturally. Do not expose the water tank to direct sunlight while drying it.

**Attention:**

Do not wash the water tank, holder or mop fabric in a dishwasher.

MOP

- After every dry or wet wiping, remove the mop fabric from the holder, wash it by hand in lukewarm water with the addition of a small amount of gentle washing powder and allow it to dry naturally.
- Wipe the mop holder with a lightly dampened cloth or wash it under running water and then dry thoroughly.

CENTRAL ROTARY BRUSH

- Push on the latches **F1** of the central rotary brush cover **A21** and take out the cover.
- Take out the rotary brush **A22**.
- Use a dry wiping cloth to clean out the area in which the rotary brush is housed. Also clean the suction hole, the procedure is described later in this user's manual.
- Remove any dirt and material (dust, wound on hair, animal fur, etc.) from the brushes **F2** of the rotary brush and also from the ends **F3**. You can cut heavily wound on hair using the blade of the cleaning brush **E2**.
- Reinsert the rotary brush and its cover.

**Attention:**

In the event that an excessive amount of dirty material accumulates on the central rotary brush and in its compartment, there is a risk of permanently damaging the vacuum cleaner. Regularly inspect the condition of the brush. Do not use the vacuum cleaner without the central rotary brush.

SUCTION HOLE

- The suction hole is located underneath the central rotary brush, therefore, take it out before cleaning the suction hole as described in the previous chapter. With repeat use, dust and dirt may accumulate around the suction hole, which may manifest itself through decreased suction efficiency. Remove the dirt and dust from the suction hole using a soft brush. Regularly clean the suction hole to ensure maximum suction power.

SIDE ROTARY BRUSHES

- Take out the rotary brushes by pulling them upwards. Remove any dust and dirt from the location where the brushes were mounted.
- Remove all dust and dirt from the brushes. If necessary you may wash the brushes under running water. If the bristles were deformed while the vacuum cleaner was running, dip them in warm water to allow them to return to their original shape. Allow the brushes to dry before reattaching to the vacuum cleaner.
- After cleaning it, reattach it.

**Note:**

The rotary brushes become worn out when used. After a certain time it is necessary to replace the used brushes with new ones. To order new brushes, contact your vendor or an authorised service centre.

COMPLETE ROBOTIC VACUUM CLEANER

- Regularly wipe the surface of the vacuum cleaner using a soft dry wiping cloth.
- First remove any coarser dirty material from the front swivel wheel **A18** and the motorised wheels **A13** and **A20**. Then clean them around their entire perimeter using a lightly dampened cloth and wipe them dry. Do not forget to also clean the area around the wheels.
- At least once per week, or more often, wipe the sensors **A9**, **A12**, **A19** on the underside of the vacuum cleaner and the side sensor **A8** using a soft dry wiping cloth or a cotton bud.

CHARGING STATION

- At least once per week, clean the surface of the charging station **B1** including the charging contacts **B2** using a soft dry wiping cloth.

STORAGE

When not using the vacuum cleaner for an extended period of time, do the following:

- Turn off the vacuum cleaner by setting the main switch to the OFF position.
- Clean the vacuum cleaner as described in chapter CLEANING AND MAINTENANCE.
- Disconnect the charging station from the power socket.
- Store the vacuum cleaner with all its accessories in a dry, clean and cool place.

TECHNICAL SPECIFICATIONS**Robotic vacuum cleaner**

Dimensions (diameter x height).....	340 x 90 mm
Weight.....	3 kg
Motor power output.....	40 W
Operating time per single charge.....	up to 90 min
Dust container capacity.....	250 ml
Water tank capacity.....	350 ml
Vacuuming system.....	SUPER SUCTION 4 000 Pa
Navigation system.....	Sencor Nav. 16.0

Power adapter

Input.....	100–240 V AC, 50/60 Hz, 0.2 A
Output.....	5 V, 1000 mA

Battery

Type.....	2,600 mAh Li-Ion
Charging time.....	4–6 h
Input.....	5 V, 1 A

The declared noise emission level is lower than 70 dB(A), which represents a level A of sound power with respect to a reference sound power of 1 pW.

DISPOSAL OF USED BATTERIES

Prior to handing over the product at a specialised collection facility, it is necessary to ensure that the battery is removed. Prior to removing the battery, turn off the vacuum cleaner using the main switch. Disconnect the battery according to the procedure described in chapter REPLACING THE BATTERY.



This symbol indicates that used batteries do not belong in ordinary municipal waste. Hand over used batteries to designated collection points for proper disposal. Correct disposal of batteries will help prevent negative impacts on the environment and human health.

Disposal in other countries outside the European Union.

This symbol is valid in the European Union. If you wish to dispose of used batteries, request the necessary information about the correct disposal method from the local authorities or from your vendor.

INSTRUCTIONS AND INFORMATION REGARDING THE DISPOSAL OF USED PACKAGING MATERIALS

Dispose of used packaging material at a site designated for waste in your municipality.

DISPOSAL OF USED ELECTRICAL AND ELECTRONIC EQUIPMENT

This symbol on products or original documents means that used electric or electronic products must not be added to ordinary municipal waste. For proper disposal, renewal and recycling, hand these products over to determined collection points. Alternatively, in some European Union states or other European countries you may return your appliances to the local retailer when buying an equivalent new appliance.

Correct disposal of this product helps save valuable natural resources and prevents potential negative effects on the environment and human health, which could result from improper waste disposal. Ask your local authorities or collection facility for more details.

In accordance with national regulations penalties may be imposed for the incorrect disposal of this type of waste.

For business entities in European Union states

If you want to dispose of electric or electronic devices, ask your retailer or supplier for the necessary information.

Disposal in other countries outside the European Union.

This symbol is valid in the European Union. If you wish to dispose of this product, request the necessary information about the correct disposal method from the local council or from your retailer.



This product meets all the basic requirements of EU directives related to it.